

# DELTA 8P MODEL

## ALUMINIUM SPRAYGUN



# DELTA 8P MODEL

## ALUMINIUM SPRAYGUN

Delta 8P

Code: 10318000

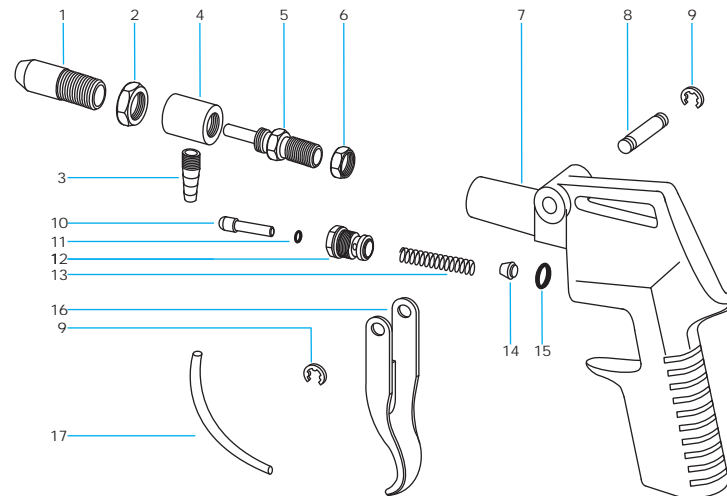
Trigger activated

Metal Nozzle Tip

Consumo de Ar: 7PCM

Working pressure: 50 - 70 PSI  
Use: Applying for dense products  
Underseal / Abrasion Coatings

REF.	CODE	DESCRIPTION	QUANTITY
1	10315160	Flow control nozzle tip	01
2	10113163	Outer tube nut	01
3	10315050	Spike	01
4	10315030	Nozzle tip guide assembly	01
5	10315020	Spray gun nozzle tip	01
6	10315031	Nozzle back nut	01
7	10212030	Aluminium Assembly	01
8	10104053	Trigger axle for lock	01
9	10103201	Trigger axle lock	02
10	10164160	Valve shaft	01
11	10201010	Valve O'Ring	01
12	10304033	Valve guide assembly	01
13	10302130	Valve spring	01
14	10203031	Valve cone	01
15	10201011	Valve seat pad O'Ring	01
16	10212070	Trigger	01
17	10304120	Transparent hose	01



JUL/13