

13A APLICACION AIRGUN

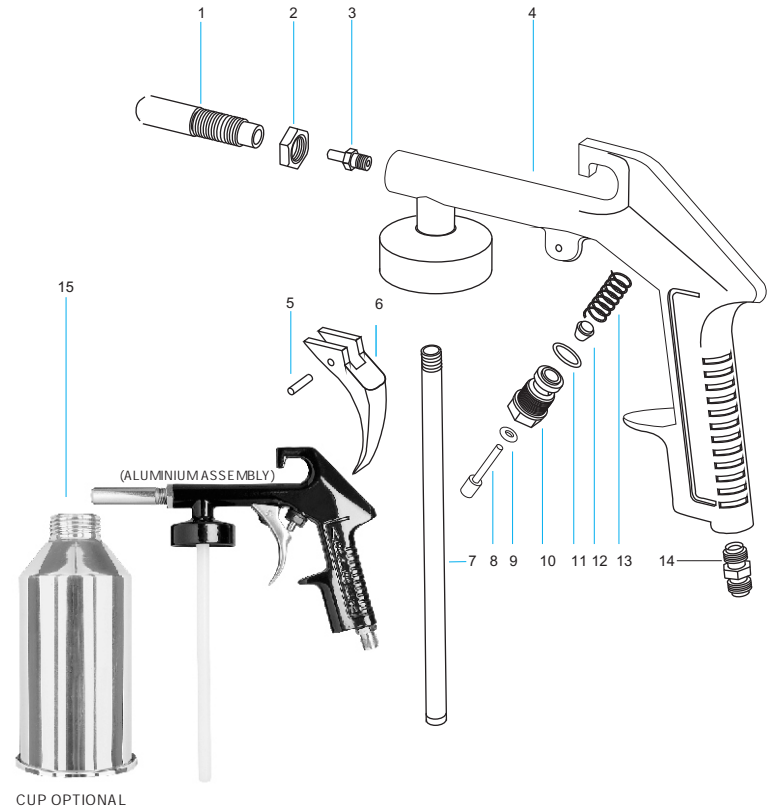
DESIGNED FOR APPLYING NOISE-ABSORPTION PUTTIES



13A APLICACION AIRGUN

DESIGNED FOR APPLYING NOISE-ABSORPTION PUTTIES

REF.	CODE	DESCRIPTION	QUANTITY
1	10136200	External (outer) tube	01
2	10113163	Outer tube nut	01
3	10113020	Internal nozzle	01
4	10164030	Aluminium Assembly	01
5	10011160	Trigger stud	01
6	10011070	Trigger	01
7	10113160	Suction feed	01
8	10164160	Valve stud	01
9	10201010	Valve O'Ring	01
10	10201032	Valve guide	01
11	10201011	Valve pad ring	01
12	10103034	Valve cone	01
13	10302130	Valve spring	01
14	10113050	(1/4" x 1/4") Air inlet	01
15	10134030	Cup (optional)	01



CUP OPTIONAL

JUN/12

USER INSTRUCTIONS:

13A APPLICATION AIRGUN DESIGNED FOR APPLYING NOISE-ABSORPTION PUTTIES

USER INSTRUCTIONS:

Follow the manufacturer's recommendations when preparing the coating material to be applied. Place the material to be applied into the tool cup and tighten the cup well onto the tool assuring a perfect leak-proof seal.

CLEAN THE AIR TOOL RIGHT AFTER IT IS USED.

a) CLEANING

Once the cup is cleaned, place solvent into the cup. Trigger the tool until the resulting spray is clear. Under no circumstance should any other air gun tool parts be removed for cleaning purposes. Also never expose the air gun assembly to direct solvent contact, as doing so leads to seal damages. When cleaning your ARPRES equipment, do not use pointed metallic objects as these will damage tool openings. Tool apertures not set to their exact caliber sizes will lead to painting job defects

b) LUBRIFICATION

To assure durability of your ARPRES equipment, valve lubrication with liquid vaseline right after cleaning must be done. The equipment you have just bought bears the guarantee associated to an ARPRES product. Its maintenance and servicing should be handled only by specialized technical company personnel or by the Authorized Technical Assistance network. In case of defective functioning of any product bearing the ARPRES brand name the user should refer to the Dealership, to the nearest Authorized Technical Assistance location or to ARPRES (Phone 11 – 6100-8100). The company assumes no responsibility for repairs resulting from accidents or stemming from the non- observance of the instructions contained in this manual.

INSTRUCCIONES DE USO:

1) Del producto

CODIGO MODELO 13A – 10164000

Utilización: Aplicación de materiales densos (Underseal/Bate Piedra)

Presión de trabajo: 50 – 70 PSI

Consumo de aire: 7,0 PCM

Accionamiento por gatillo

Cuerpo en Aluminio

2) Regulaje:

Dependiendo de la viscosidad del material aplicado, es necesario un ajuste de regulaje para se obtener una succión mejor del producto.

Liberar la "porca do tubo externo" (2) y gire para la derecha o la izquierda el "tubo externo" (1) hasta se conseguir la regulaje adecuada para la salida del producto.

En seguida, aprete otra vez la "porca do tubo externo" (2) para se mantener el ajuste.

3) Limpieza:

Limpie siempre después del uso.

a) poner en la "caneca"(15) si tener, o otro deposito, lo mismo disolvente del producto utilizado.

b) Pulverize hasta que lo disolvente salga limpio

c) Lubricar inmediatamente después del uso con vaselina o aceite lo "pino da válvula"(8).

Importante

Para obtener más información técnica sobre este producto, por favor visite nuestro sitio web: www.arprex.com.br

PROBLEM	CAUSES	CORRECTIONS
Tool does not draw application material	Suction feed loose or badly-adjusted external (outer) tube (1)	Tighten or replace suction feed Adjust the external (outer) tube (1) fitting it either further out or further into the tool assembly.

Defectos	Causas	Corrección
No Sale Material	a) 'pescador' (7) suelto b) 'tubo externo' (1) con mal regulaje c) obstrucción en las piezas: (1 - 3 o 7)	a) apretar 'pescador' (7) b) Regular el 'tubo externo' (1) ver instrucciones arriba 2) Regulaje c) limpiar / cambiar (1 -3 o 7)

Escape de aire por el 'Pino da Válvula' (8)

a) 'cone da válvula' (12) danificado
b) 'anel o'ring da Válvula' (9) danificado

a) cambiar 'cone da válvula' (12)
b) cambiar 'anel o'ring' (9)



ARPRES

ALTA TECNOLOGIA

EQUIPAMENTOS PARA PINTURA MAJAM LTDA.
Estrada Taboão do Paratei, 99 - B. do Taboão - CEP 08772-010 - Mogi das Cruzes - SP - Brasil
Phone: 55(11) 3195-6100 / 55(11) 2100-8100 - C.N.P.J. 60.576.790/0001-80
www.arprex.com.br