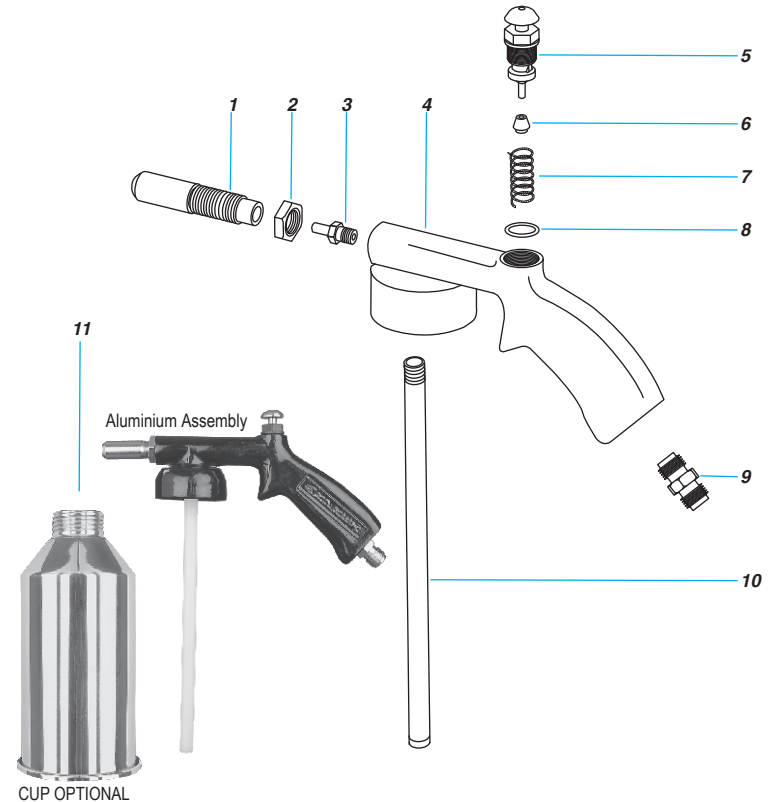


**MODEL 31 APLICACION AIRGUN**  
DESIGNED FOR APPLYING NOISE-ABSORPTION PUTTIES



**MODEL 31 APLICACION AIRGUN**  
DESIGNED FOR APPLYING NOISE-ABSORPTION PUTTIES

REF.	CODE	DESCRIPTION	QUANTITY
1	10136200	External (outer) tube	1
2	10113163	Outer tube nut	1
3	10113020	Internal nozzle	1
4	10136031	Aluminium Assembly	1
5	10203220	Complete plastic valve assembly	1
6	10103034	Valve cone	1
7	10302130	Valve spring	1
8	10201011	Valve seat pad O'Ring	1
9	10113050	Air inlet	1
10	10113160	Suction feed	1
11	10134030	Cup (optional)	1



CUP OPTIONAL

JAN/10