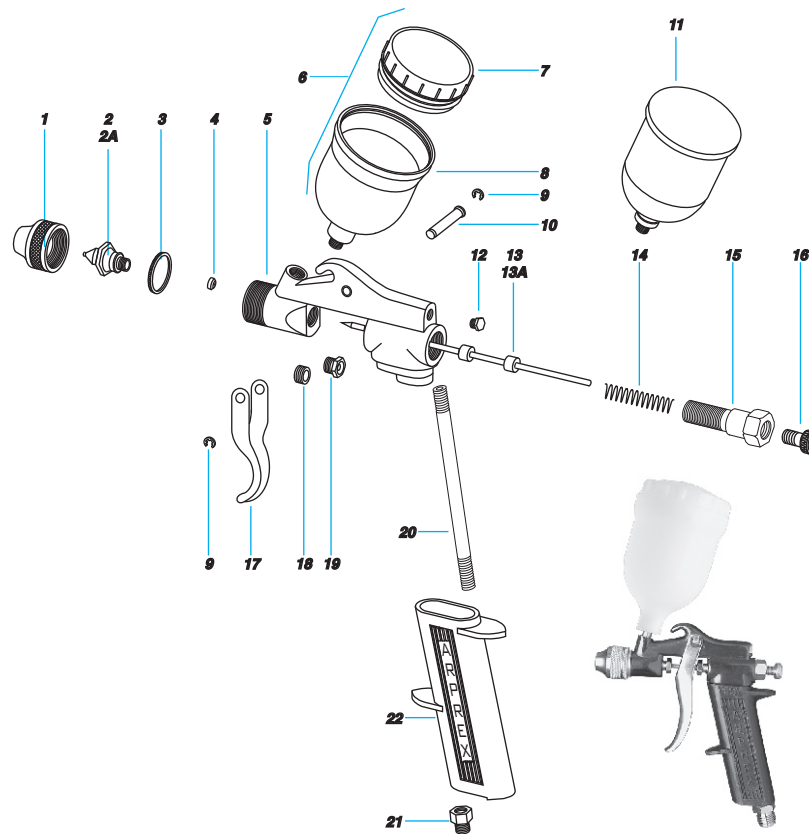


MODEL 5AD DIRECT AIR GRAVITY FEED AIRGUN



MODEL 5AD DIRECT AIR GRAVITY FEED AIRGUN

REF.	CODE	DESCRIPTION	QUANTITY
1	10107053	Spreader	1
2	10107020	Internal 0.8mm nozzle	1
2A	10125020	Internal 0.4mm nozzle	1
3	10107013	Spreader ring	1
4	10107024	Forward bushing	1
5	10139030	Assembly	1
6	10107035	Complete plastic cup assembly	1
7	10107204	Plastic cup lid	1
8	10107032	Lidless plastic cup	2
9	10103201	Trigger axle lock	1
10	10107054	Trigger axle for use with lock	1
11	10107036	Complete aluminium cup assembly	1
12	10105201	Air lid	1
13	10139011	Complete 0.8mm needle assembly	1
13A	10142011	Complete 0.4mm needle assembly	1
14	10139130	Needle spring	1
15	10139200	Needle tappet	1
16	10115021	Needle adjustment regulator button	1
17	10107070	Trigger	1
18	10107071	Needle gasket (Teflon wire)	1
19	10107163	Needle gasket guide	1
20	10107203	Air passage tube	1
21	10107052	Air inlet	1
22	10107030	Plastic grip	1



Pa068 - OUT/09