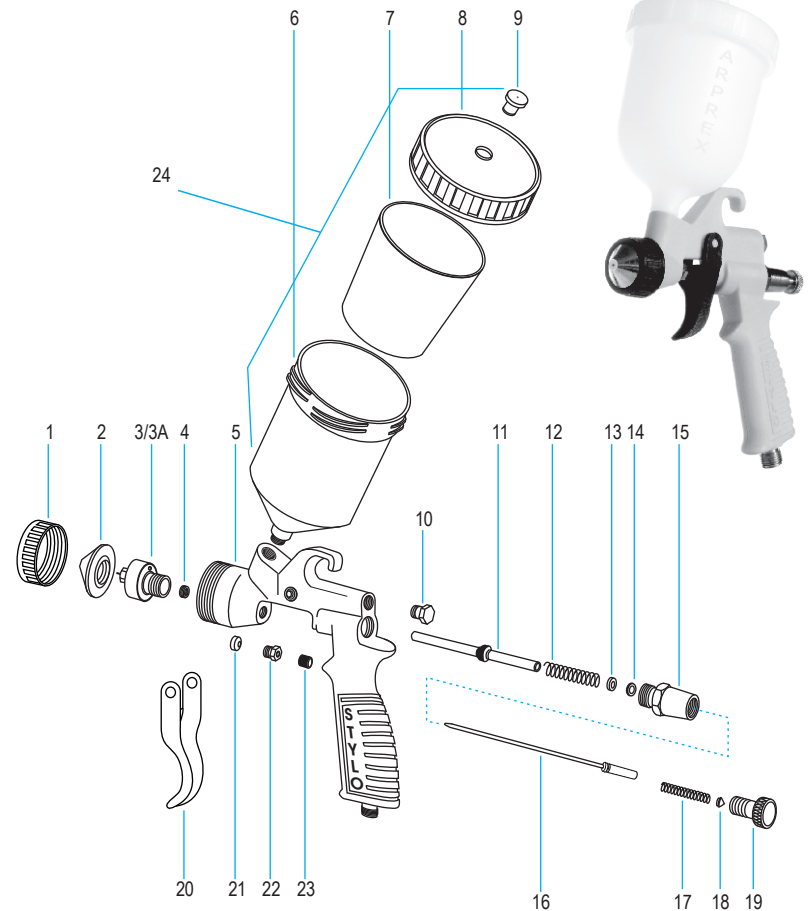


# STYLO STD GRAVITY FEED AIRGUN



# STYLO STD GRAVITY FEED AIRGUN

REF	CODE	DESCRIPTION	QUANTITY
1	10003120	Stylo Plus Glove	1
2	10005050	Stylo AD 0.8mm Spreader tip	1
3	10005020	Stylo AD 0.8mm nozzle	1
3A	10013020	Nozzle Stylo STD 1,0mm	1
4	10107024	Forward bushing 5	1
5	10006032	Complete Stylo STD 0.8mm Assembly (Yellow)	1
6	10003031	Stylo Plus Plastic Cup	1
7	10003033	Stylo Plus Plastic Cup Sieve	1
8	10003200	Stylo Plus Cup Lid	1
9	10191023	HVLP Lid Breather Button	1
10	10169200	90 S Assembly Lid	1
11	10107223	Complete Valve 5 Plus Assembly	1
12	10103131	Valve 1 Spring	1
13	10169010	90s Grip Washer	1
14	10106100	Valve 4 O'Ring (ref. 2106)	1
15	10106033	Internally Unthreaded Valve 4 Grip	1
16	10006011	Stylo STD Complete Needle Assembly	1
17	10106130	Needle 4 Spring	1
18	10160011	Milenium 5 Needle Spring Support	1
19	10108025	Needle 12 Button	1
20	10115073	90 Plastic Trigger	1
21	10107071	Needle 5 Gasket	1
22	10107163	Needle 5 Gasket Guide	1
23	10003021	Stylo Valve Activation Bushing	1
24	10003036	Full Mug Stylo	1



NOV/09